

### TECHNICAL DATA

Motor Type – 555 Series  
Voltage – 24v DC

Motor Resistance at 21°C. –  
10.5 Ohms

Input Power at 24v DC –  
3.8 Watts

Nominal Current at 24v DC –  
0.15 Amps

Stall Current at 24v DC –  
2.19 Amps

Output torque at 24v DC –  
6.8Kg/cm (0.67Nm)

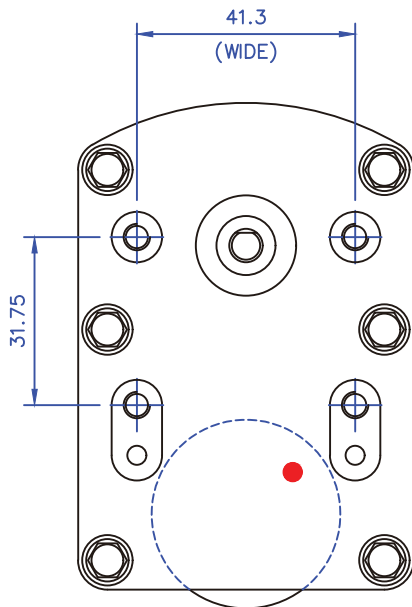
Thermal Protection –  
No Thermal Protection

Duty Cycle – Continuous

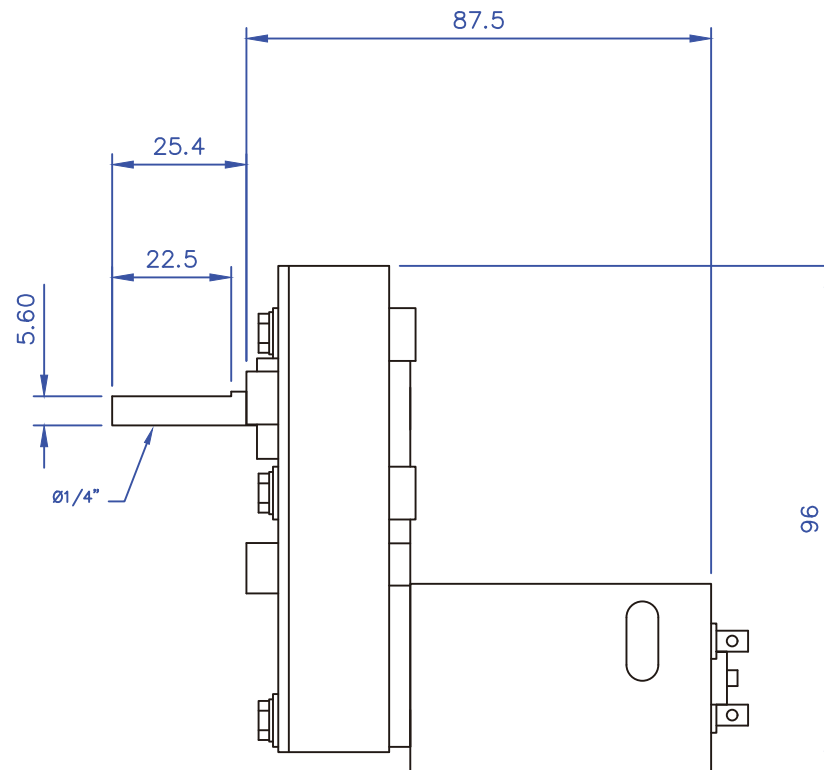
No Load Speed at 24v DC –  
125rpm.

Output Shaft Rotation when viewed  
from front – CW/CCW.

**MEDT6-023 UBD1129**



GEARBOX COVER  
MOUNTING HOLES  
TAPPED M5  
4 POSITIONS



Dimensions in mm

MELLOR ELECTRICS Ltd  
BLACKBURN ENGLAND

DESCRIPTION  
T6 DC 125rpm 24v DC 555 Series

CUSTOMER  
FRICAVAL 89 SL

DRAWN LC 04/09/18

PART No  
UBDSERIES