



µGard®2

Plastic Housing Type A for Sensor Cartridge MC2 and/or Sensor Board ARB2

Robust plastic housing for integration of the µGard®2 MC2 sensor series and/or of the Analog-Relay-Board ARB2.



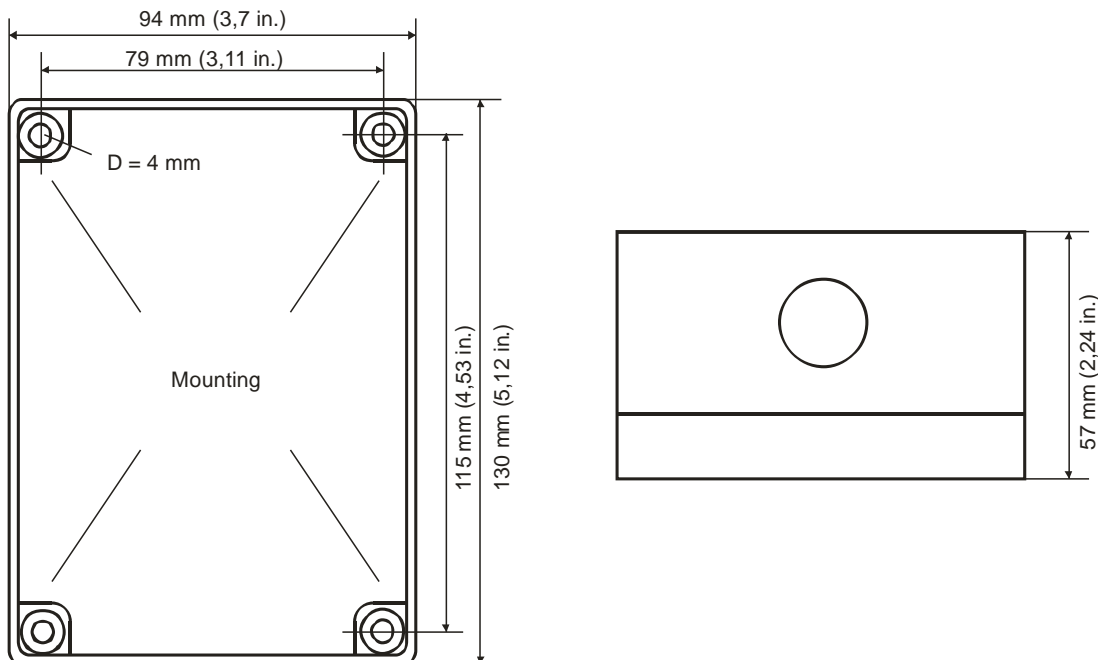
Housing type A with sensor MC2 in housing type P

SPECIFICATIONS

Housing plastic version type A	Polycarbonate
Combustion behaviour	UL 94 V2
Housing colour	RAL 7032 (light grey)
Dimensions	(B x H x T) 94 x 130 x 57 mm (3.7 x 5.12 x 2.24 in.)
Weight	ca. 0,2 kg (0.44 lb)
Protection class (delivery status)*	IP 65
Installation	Wall mounting
Cable entry	Knockouts M 20 / M 25
Temperature range	-20 °C to +50 °C (-4 °F to +122 °F)

*If there are changes to the housing it has to be re-evaluated.

DIMENSIONS

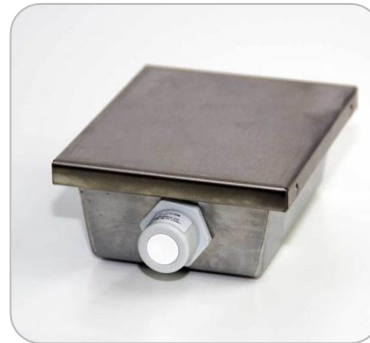




µGard®2

Stainless Steel Housing Type 5 for Sensor Cartridge MC2

Shapely designed stainless steel housing for the integration of the µGard®2 MC2 gas sensor series with practical snap closing without screwing. To avoid unauthorized opening the housing can only be opened with the enclosed opening tool OT 01.



Stainless steel housing type 5 with Sensor MC2 in housing P

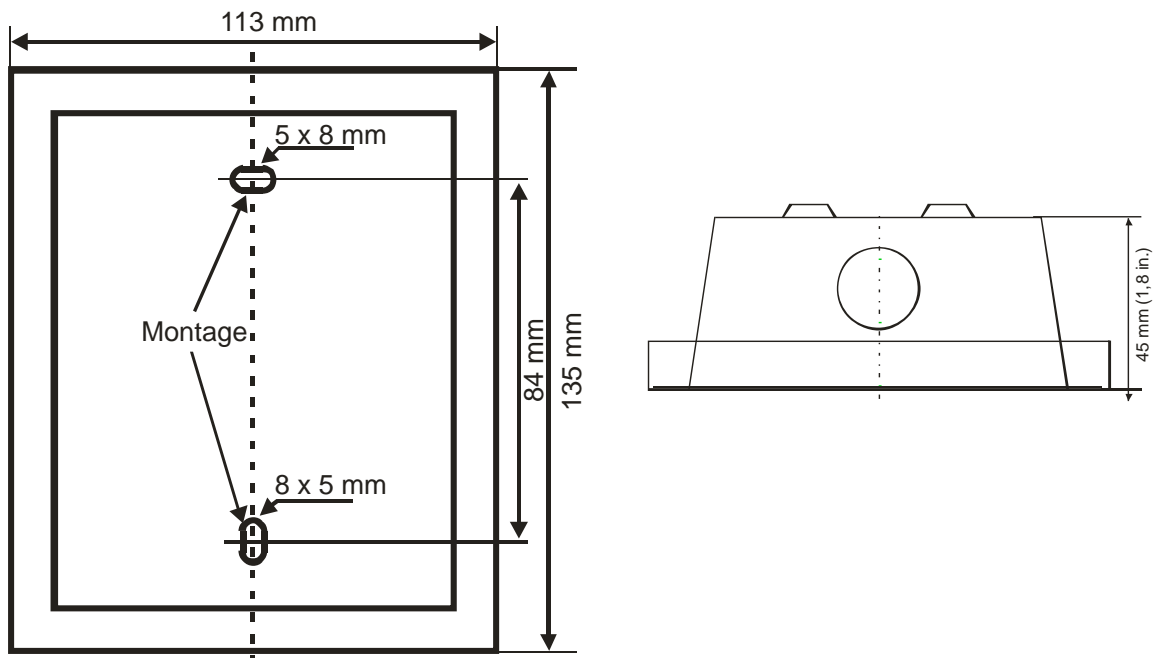


Opening Tool OT 01

SPECIFICATIONS

Housing stainless steel type 5	V2A stainless steel, 1 mm, material 1.4301 corrosion-resistant
Housing colour	Natural, brushed
Dimensions	(B x H x T) 113 x 135 x 45 mm (4.5 x 5.35 x 1.8 in.)
Weight	Approx. 0.5 kg (1.1 lb.)
Protection class	IP 55
Montage	Suitable for plane surfaces and pillars
Cable entry	Standard 1 x M 20
Temperature range	-40 °C to 60 °C (-40 to 140 °F)

DIMENSIONS





µGard®2

Plastic housing type D for Sensor Cartridge MC2

Compact plastic housing for integration of the µGard®2 MC2 sensor series without display.



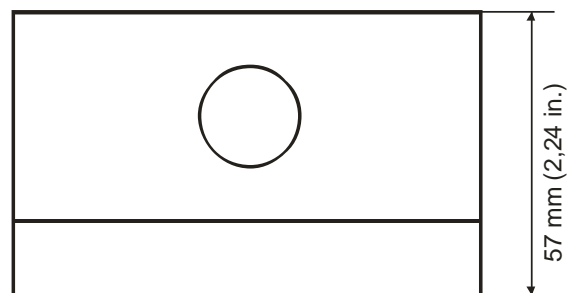
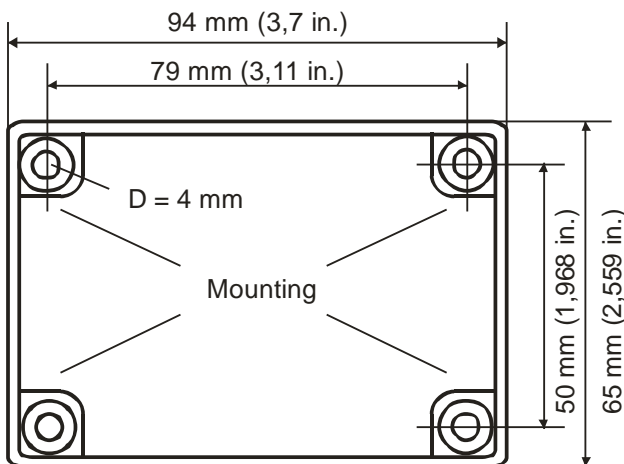
Housing type D with MC2 Sensor in housing P

SPECIFICATIONS

Housing plastic version type D	Polycarbonate
Combustion behaviour	UL 94 V2
Housing colour	RAL 7032 (light grey)
Dimensions	(B x H x T) 94 x 130 x 57 mm (3.7 x 5.12 x 2.24 in.)
Weight	ca. 0,1 kg (0.22 lb)
Protection class (delivery status)*	IP 65
Installation	Wall mounting
Cable entry	Standard M 20
Temperature range	-20 °C to +50 °C (-4 °F to +122 °F)

*if there are changes to the housing it has to be re-evaluated.

DIMENSIONS





µGard®2

Plastic Housing Type N for Sensor Cartridge MC2 and/or Sensor Board ARB2

Plastic housing for integration of the µGard®2 MC2 sensor series and/or of the Analog-Relay-Board ARB2.



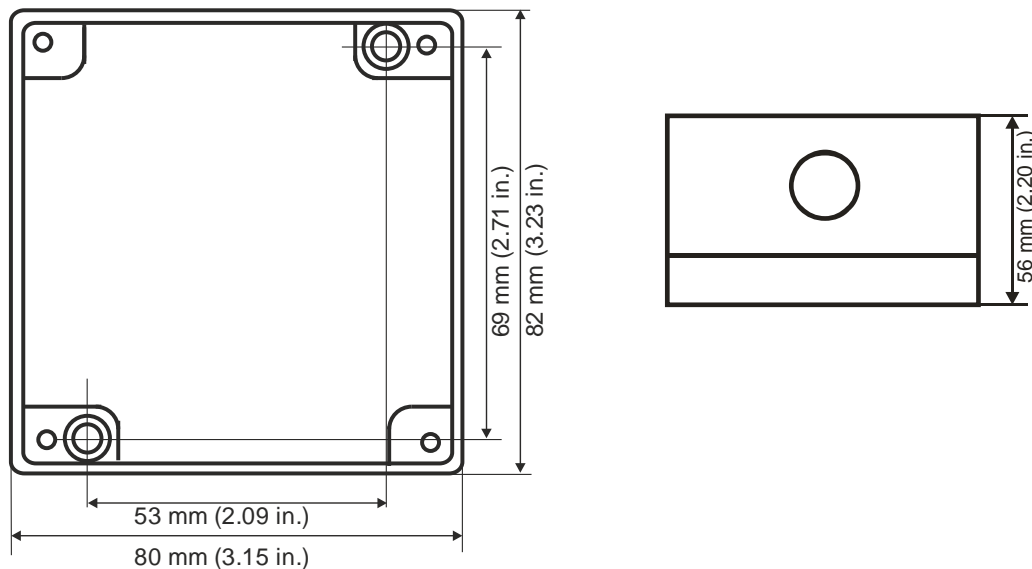
Housing N with MC2 Sensor in housing P

SPECIFICATIONS

Housing plastic version type N	ABS
Housing colour	RAL 7032 (light grey)
Dimensions	(B x H x T) 80 x 82 x 56 mm (3.15 x 3.23 x 2.20 in.)
Weight	ca. 0,2 kg (0.44 lb)
Protection class (delivery status)*	IP 65
Montage	Wall mounting, sensor head downwards
Cable entry	1 x M 20 borehole
Temperature range	-25 °C to +50 °C (-13 °F to +122 °F)

*If there are changes to the housing it has to be re-evaluated.

DIMENSIONS



ORDERING INFORMATION

MC2-**X**-

- A** Plastic housing type A, 94 x 130 x 57 mm
- S** Stainless steel housing type 5, 113 x 135 x 45 mm
- D** Plastic housing type D, 94 x 65 x 57 mm
- N** Plastic housing type N, 80 x 82 x 56 mm





µGard®2

Sensor Head MC2 in Plastic Housing Type P

Exchangeable sensor MC2 in plastic housing P with optional cable.
Length may vary between 1 m to 15 m (in meter steps).



MC2 Sensor in housing P without cable

SPECIFICATIONS

Housing M25	Polycarbonate UL 94 V2
Housing colour	RAL 7032 (light grey)
Dimensions	(D x H) 24 x 22 mm (0.94 x 0.87 in.)
Weight	ca. 30 g (0.066 lb)
Protection class	IP 65
Montage	Screw mounting / M25

µGard®2

Sensor Head MC2 in Stainless Steel Housing Type S

Exchangeable sensor MC2 in stainless steel housing S with optional cable.
Length may vary between 1 m to 15 m (in meter steps).



Housing type S

SPECIFICATIONS

Housing	Stainless steel
Material	CrNi steel: 1.4404
Dimensions (d x H)	30 x 56 mm (1.18 x 2.20 in.)
Protection class	Gas inlet IP64
Mounting	External thread NPT 3/4" ANSI/ B1.20.1

ORDERING INFORMATION

MC2- X XXXXX-X(X)- X- X- XX

- 00 Without connection cable (standard)
- XX With connection cable: 01, 02, 03, 04, 05 ... 15 max. (length in m)
- P Sensor housing plastic
- S Sensor housing stainless steel

