



PolyGard®2

Gas Controller Expansion Module EP-06-JC

Expansion module with three analog input (4 to 20 mA), four alarm relays with potential-free SPDT contacts and two analog outputs (4 to 20 mA) for the connection to the PolyGard®2 Gas Controller GC-06.

Up to seven expansion modules can be connected either centrally at the controller or distributed anywhere along the communication bus.

For the field bus output there is an integrated overload and reverse polarity protection. A further field bus output with repeater function is provided in addition.

Each fire zone requires a separate module.

APPLICATION

Expansion of the analog inputs and outputs, as well as of the alarm relays of the gas controller system GC-06. The additional function of the "Jetfan Control" takes over the control of a fire panel.



FEATURES

- Three analog inputs, 4 to 20 mA
- Five digital inputs and one analog input to control the garage ventilation
- Four alarm relays with SPDT contacts, potential-free, max. 250 V AC, 5 A
- Two analog outputs, 4 to 20 mA, with selective signal output for special mode, fault, etc.
- Integrated reverse polarity and overload protection for field bus output
- Second field bus output with repeater function
- Suitable for rail mounting (distribution box)
- Option: Monitoring of the connected warning devices for functionality and discontinuity at alarm relays AR03 and AR04



MSR-Electronic GmbH ::: Würdinger Str. 27 & 27A ::: 94060 Pocking ::: Germany

Specifications subject to change without notice
Up-to-date data sheets and user manuals can be found in the download area of www.msr-24.com.
PolyGard® is a registered trademark of MSR-Electronic GmbH



PolyGard®2

Gas Controller Expansion Module EP-06-JC

SPECIFICATIONS

Electrical	
Power supply	24 V DC \pm 20 %
Power consumption	3 W, 120 mA
Analog input (3)	4 to 20 mA, overload and short-circuit protected, input resistance 200 Ω
Tension for external analog transmitter	24 V DC (same as power supply), max. 100 mA / per sensor
Analog output (2) configurable for each input	Proportional, overload and short-circuit- protected, charge \leq 500 Ω 4 - 20 mA = measuring range 3.0 < 4 mA = underrange > 20 - 21.2 mA = overrange 2.0 mA = fault
Alarm relay (4)	250 V AC, 5 A, potential-free, change-over (SPDT)
Interface field bus	
Transceiver	RS 485 / 19200 Baud
Environmental	
Humidity	15 - 95 % RH non-condensing
Working temperature	-10 °C to +40 °C (14 °F to 104 °F)
Storage temperature	0 °C to +40 °C (32 °F to 104 °F)
Physical	
Enclosure	Plastic housing ABS
Colour	RAL 7035
Protection class	IP 40
Weight	0.2 kg (0.5 lb.)
Packaging volumes	Ca. 4.4 l
Mounting	Top hat DIN rail mounting, installation in distribution box
Dimensions	(W x H x D) 106 x 110 x 62 mm (4.2 x 4.3 x 2.4 in.)
Wire connection:	
Power supply	Screw type terminal: 2.5 mm ² (14 AWG)
Output	2 x spring type terminal: min. 0.5 mm ² , max. 1.5 mm ² (22 to 16 AWG)
Input	Spring type: min. 0.5 mm ² , max. 1.5 mm ² (22 to 16 AWG)
Guidelines	
	EMC Directive 2014/30/EU
	Low voltage directive 2014/35/EU
	EN 50 545-1
	EN 50271
	EN 61010-1:2010
	ANSI/UL 61010-1
	CAN/CSA-C22.2 No. 61010-1
Warranty	2 years on device

Note: If EP-06s are distributed along the communication bus it is recommended that each be powered by a separate DC power supply with only the ground connected to the bus.





PolyGard®2

Gas Controller Expansion Module EP-06-JC

ORDER INFORMATION

EP-06-JC XXX

OPTIONS

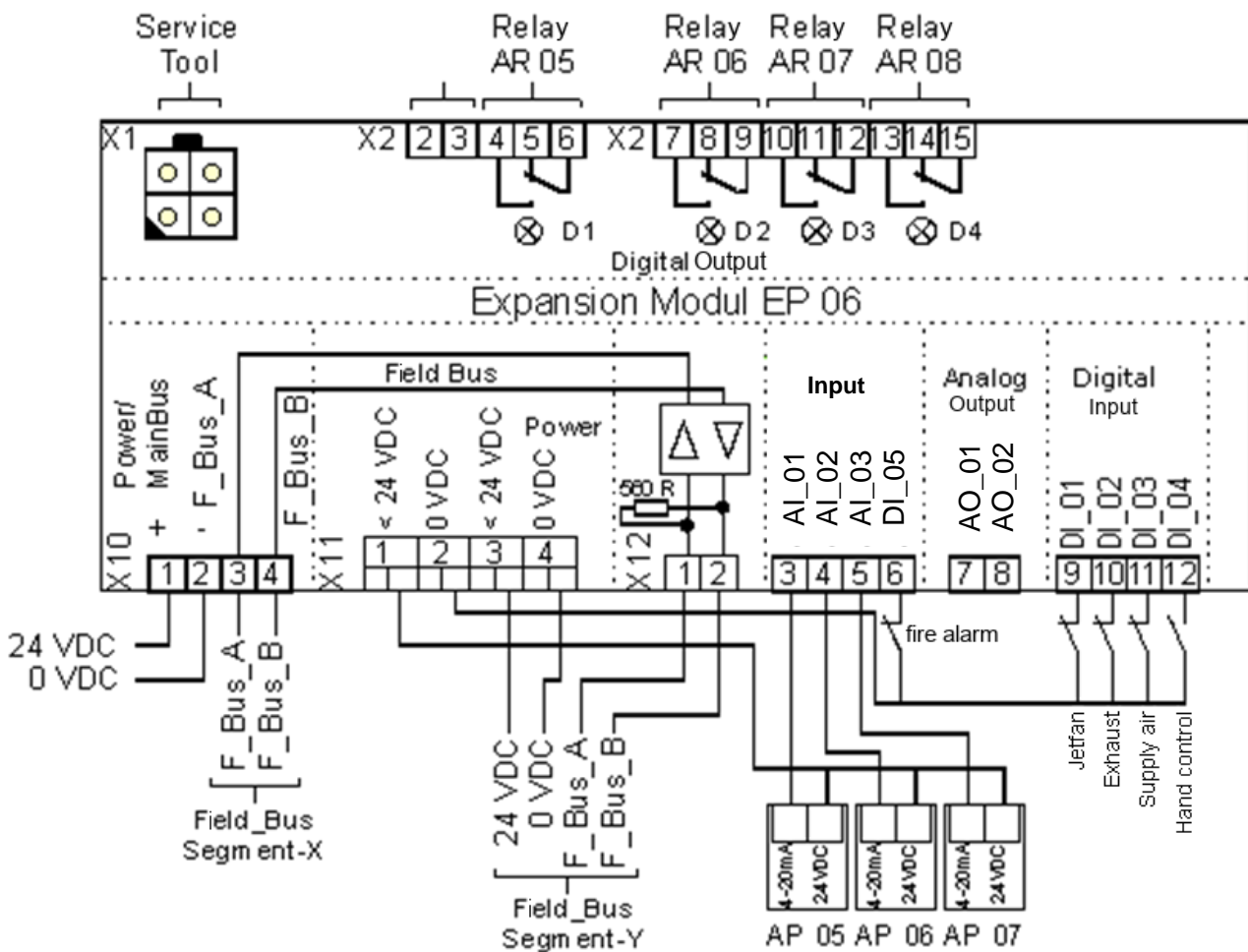
- 1XX** Standard version, all alarm relays potential-free, max. 250 V AC
- XIX** Installation in plastic housing 180 x 180 x 90 mm
- XX1** Software for cold smoke extraction
- XX2** Software for hot smoke extraction

EXAMPLE

Expansion Module EP-06 with four alarm relays and cold smoke extraction

Ordering number: EP-06-JC-101

WIRING CONFIGURATION





ADDRESS TABLE EP-06-JC MODULES

Zone No.	EP Addr.	MP No.	Rel. No.	AO No.	Jetfan DI No.	Exhaust DI No.	Supply Air DI No.	Hand control
01	01	05 – 07	05 – 08	03 – 04	05	06	07	08
02	02	09 – 11	09 – 12	05 – 06	09	10	11	12
03	03	13 – 15	13 – 16	07 – 08	13	14	15	16
04	04	17 – 19	17 – 20	09 – 10	17	18	19	20
05	05	21 – 23	21 – 24	11 – 12	21	22	23	24
06	06	25 – 27	25 – 28	13 – 14	25	26	27	28
07	07	29 – 31	29 – 32	15 – 16	29	30	31	32



MSR-Electronic GmbH ::: Würdinger Str. 27 & 27A ::: 94060 Pocking ::: Germany

Specifications subject to change without notice
Up-to-date data sheets and user manuals can be found in the download area of www.msr-24.com.
PolyGard® is a registered trademark of MSR-Electronic GmbH