



PolyGard®2

Gas Controller Expansion Module EP-06

Expansion module with four analog inputs (4 to 20 mA), four alarm relays with potential-free SPDT contacts and two analog outputs (4 to 20 mA) for the connection to the PolyGard®2 Gas Controller GC-06.

Up to seven expansion modules can be connected either centrally at the controller or distributed anywhere along the communication bus.

For the field bus output there is an integrated overload and reverse polarity protection. A further field bus output with repeater function is provided in addition.

Discontinuity and functionality control of the external warning devices is available as an option for alarm relays AR03 and AR04.



EP-06 Module

APPLICATION

Expansion of the analog inputs and outputs, as well as of the alarm relays of the gas controller system GC-06.

FEATURES

- Four analog inputs, 4 to 20 mA, for analog sensors
- Four alarm relays with SPDT contacts, potential-free, max. 250 V AC, 5 A
- Two analog outputs, 4 to 20 mA, with selective signal output for special mode, fault, etc.
- Integrated reverse polarity and overload protection for field bus output
- Second field bus output with repeater function
- Suitable for rail mounting (distribution box)
- Option: Monitoring of the connected warning devices for functionality and discontinuity at alarm relays AR03 and AR04





PolyGard®2

Gas Controller Expansion Module EP-06

SPECIFICATIONS

Electrical

Power supply	24 V DC \pm 20 %
Power consumption	3 W, 120 mA
Analog input (4)	4 to 20 mA, overload and short-circuit protected, input resistance 200 Ω
Tension for external analog transmitter	24 V DC (same as power supply), max. 100 mA / per sensor
Analog output (2) configurable for each input	Proportional, overload and short-circuit- protected, charge \leq 500 Ω 4 - 20 mA = measuring range 3.0 < 4 mA = underrange > 20 - 21.2 mA = overrange 2.0 mA = fault
Alarm relay (4)	250 V AC, 5 A, potential-free, change-over (SPDT)

Interface field bus

Transceiver	RS 485 / 19200 Baud
-------------	---------------------

Environmental

Humidity	15 - 95 % RH non-condensing
Working temperature	-10 °C to +40 °C (14 °F to 104 °F)
Storage temperature	0 °C to +40 °C (32 °F to 104 °F)

Physical

Enclosure	Plastic housing ABS
Colour	RAL 7035
Protection class	IP 40
Weight	0.2 kg (0.5 lb.)
Packaging volumes	Ca. 4.4 l
Mounting	Top hat DIN rail mounting, installation in distribution box
Dimensions	(W x H x D) 106 x 110 x 62 mm (4.2 x 4.3 x 2.4 in.)
Wire connection:	Screw type terminal: 2.5 mm ² (14 AWG)
Power supply	
Output	2 x spring type terminal: min. 0.5 mm ² , max. 1.5 mm ² (22 to 16 AWG)
Input	Spring type: min. 0.5 mm ² , max. 1.5 mm ² (22 to 16 AWG)

Guidelines

EMC Directive 2014/30/EU
Low voltage directive 2014/35/EU
EN 50 545-1
EN 50271
EN 61010-1:2010
ANSI/UL 61010-1
CAN/CSA-C22.2 No. 61010-1

Warranty

2 years on device

OPTIONS

Control of external warning devices

Power supply of the external warning devices	24 V DC
Measuring resistance at the warning device	12 k Ω , 0.5 W, 5 %

Note: If EP-06s are distributed along the communication bus it is recommended that each be powered by a separate DC power supply with only the ground connected to the bus.





PolyGard®2

Gas Controller Expansion Module EP-06

ORDER INFORMATION

EP-06- **XX0**

OPTIONS

- 1X0** Standard version, all alarm relays potential-free, max. 250 V AC
- 2X0*** AR03 & AR04 with control function of the external warning devices (24 V DC)
- X10** Installation in plastic housing 180 x 180 x 90 mm

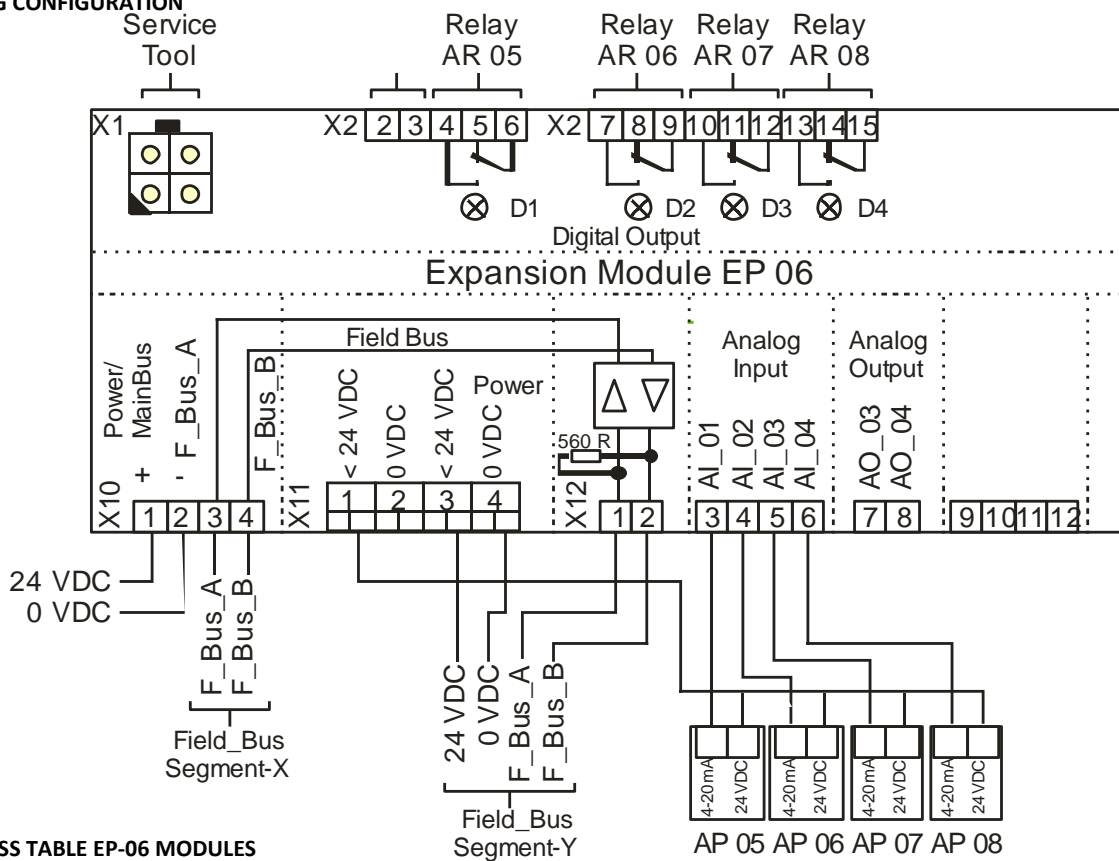
* only on request

EXAMPLE

Expansion Module EP-06 with four alarm relays and control of external warning devices

Ordering number: EP-06-200

WIRING CONFIGURATION



ADDRESS TABLE EP-06 MODULES

EP No.	EP Addr.	MP No.	Rel. No.	AO No.
01	01	05 – 08	05 – 08	03 – 04
02	02	09 – 12	09 – 12	05 – 06
03	03	13 – 16	13 – 16	07 – 08
04	04	17 – 20	17 – 20	09 – 10
05	05	21 – 24	21 – 24	11 – 12
06	06	25 – 28	25 – 28	13 – 14
07	07	29 – 32	29 – 32	15 – 16

